

- 3-digit 14 mm LED contact gauge
- 80 mm stainless steel case
- Min./max. memory
- Ranges from 500 mbar to 250 bar
- Dry ceramic sensor
- Analog output: 0(4)...20 mA, 0...10 V
- 2 DC PNP contact setpoints, max. 200 mA



Digital contact gauge PM 82

Technical data:

Range:	0...500 mbar to 0...250 bar
Analog output:	0(4)...20 mA, 0...10 V
Contact output:	DC PNP, max. 200 mA
Accuracy:	$\leq \pm 0.5\%$ FS @ 25°C
Response time :	200 ms
Power supply:	10...30V DC, 20 mA output 16...30V DC, 10 V output
Ambient temperature:	-25...80 °C
Process temperature:	-25...100 °C
Temperature coefficient:	$\leq \pm 0.03\%$ FS/K (zero) $\leq \pm 0.02\%$ FS/K (span)
Long term stability:	$\leq \pm 0.5\%$ FS p. a.
Bayonet lock case:	1.4301 (304) IP 67
Process connection:	see table
Sensor:	ceramic AL ₂ O ₃
Electrical connection:	M12x1, 5 pin connector

Nöding

Meßtechnik

Ranges

Range	Gauge	Overload (bar)
0...500 mbar	B7	- 0,2 / 2
0...600 mbar	04	- 0,2 / 2
0...1 bar	05	- 1 / 4
0...1,6 bar	06	- 1 / 4
0...2 bar	B3	- 1 / 4
0...2,5 bar	07	- 1 / 10
0...4 bar	08	- 1 / 10
0...5 bar	F1	- 1 / 10
0...6 bar	09	- 1 / 20
0...10 bar	10	- 1 / 40
0...16 bar	11	- 1 / 40
0...20 bar	B5	- 1 / 40
0...25 bar	12	- 1 / 100
0...40 bar	13	- 1 / 100
0...50 bar	F3	- 1 / 100
0...60 bar	14	- 1 / 200
0...100 bar	15	- 1 / 200
0...160 bar	16	- 1 / 400
0...250 bar	17	- 1 / 600
-1...1 bar	D6	- 1 / 4
-1...1,5 bar	D7	- 1 / 4
-1...3 bar	D8	- 1 / 10
-1...5 bar	D9	- 1 / 10
-1...9 bar	E1	- 1 / 40

Ordering Code

Analog output signal

- 0 without
- 1 0...10V 3-wire
- 2 0...20 mA 3-wire
- 3 4...20 mA 3-wire (signal range 3.8...20.5 mA)

Contact output

- 1 single
- 2 double

Ranges

- see table
- 99 non standard range (on request)

Process connection and material

- 3 G 1/2 B DIN 16288 1.4404
- 9 others on request

Sensor seal

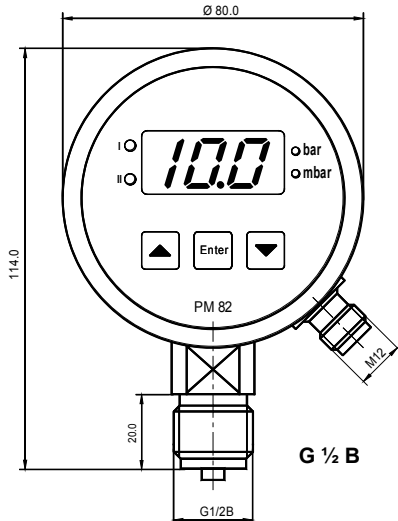
- 1 FPM (Viton) standard
- 2 NBR (Nitril)
- 3 EPDM-Kautschuk
- 4 Fluor-Silikon-Rubber
- 5 Chemraz 505
- 9 others on request

Options

- 0 Display 3 digits
- 1 Display reduced to 2 digits

PM82 - [] - []

Dimensions (mm)



Electrical connections

Connector M12x1 5-pin

