

Bourdon Tube Pressure Gauges

Crimped-on ring case stainless steel

RChg 50
RChgG 50

Standard Versions

Information on general and metrological features (e.g. load limits/temperature resistance) and standard pressure ranges/scale divisions can be found in model overview 1000.

Accuracy (DIN EN 837-1)

Class 1.6

Class 2.5 for pressure range 0 – 600 bar (0 – 10,000 psi)

Case

With polished crimped-on ring, stainless steel 304 (1.4301)

Degree of Protection (DIN EN 60 529/IEC 529)

IP54

IP65 for model RChgG with closed blow-out plug

Blow-out Device

Blow-out plug at the top of the case coverage

Case Ventilation

Via blow-out plug, ventilation required for internal pressure compensation for measuring spans ≤ 10 bar, and also recommended for other pressure ranges if the operating conditions permit

Case Filling

For model RChgG: glycerin

Nominal Case Size

50 mm (2")

Wetted Parts

Connection:

stainless steel 316L (1.4404)

Bourdon tube:

stainless steel 316L (1.4404)

gas-shielded arc welding

≤ 100 bar (1,500 psi) c-form

≥ 160 bar (2,000 psi) helical form

Case Configuration

Connection:

screwed

Position of the

connection:

- bottom connection
- centre back connection (**rm**)

Mounting device:

- without
- for centre back connection:
- front flange for panel mounting (**rmFr**)
- u-clamp for panel mounting (**rmBFr**)

Pressure Ranges (DIN EN 837-1)

0 – 1 bar to 0 – 600 bar (0 – 15 psi to 0 – 10,000 psi)

Process Connection

G 1/4 B (1/4" BSP)

Window

Polycarbonate

Movement

Stainless steel



Dial

Aluminum white, scale black

Pointer

Aluminum black

Safety Category According to DIN EN 837-1

S1 pressure gauges with blow-out device

Ordering Information, Standard Pressure Ranges, Options

See pages 3 and 4

Special Versions and Further Options

- Special process connections, e.g. VCR-F, VCR-M (see technical information sheet T01-000-033), others upon request
- Other pressure ranges and/or special scales, e.g. dual scale bar/psi, coloured fields or ranges, dial inscriptions, negative scale
- Increased degree of protection, e.g. IP65 without case filling, upon request
- Other case fillings upon request
- Position of connection radial at 3 o'clock, 9 o'clock, 12 o'clock (others upon request) or other than vertical installation (90°), for unfilled instruments
- GOST version for Russia, Ukraine, Kazakhstan, Belarus

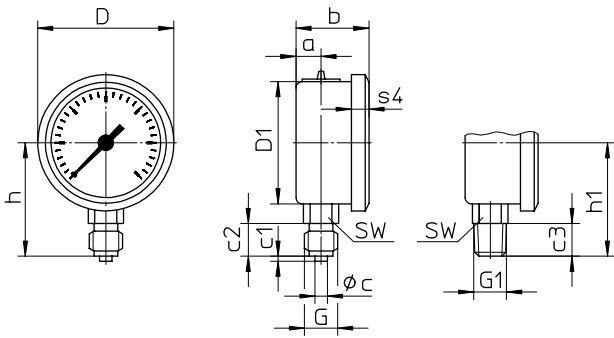
Accessories

See catalogue heading 11

Case Configurations, Code Letters, Dimensional Data and Weights, Blow-out Device

Bottom Connection

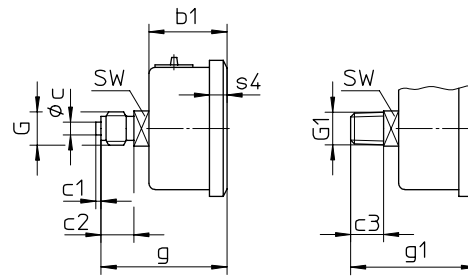
(without code letters)



Centre Back Connection

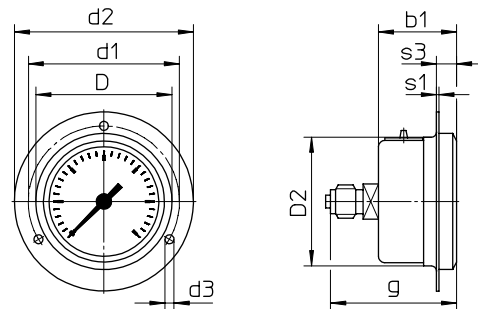
without mounting device

code letters: **rm**



with front flange for panel mounting

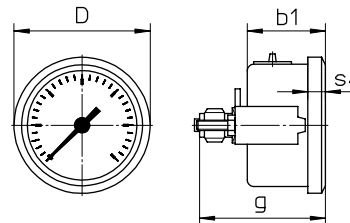
code letters: **rmFr**



recommended panel cut out $\varnothing 54 \pm 0.3$ mm
(2.13 \pm 0.012")

with u-clamp for panel mounting

code letters: **rmBFr**



recommended panel cut out $\varnothing 51 \pm 0.3$ mm
(2.01 \pm 0.012")

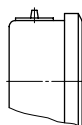
Dimensional Data (mm/inch) and Weights (kg/lb)

NCS	a	b	b1	c	c1	c2	c3	D	D1	D2	d1	d2	d3	G	G1	g	g1	h ⁻¹	h1 ^{±1}
50	10	29	31	5	2	13	13	54	48.5	51	60	71	3.6	G 1/4 B	1/4" NPT	50	50	45	45
2"	0.39	1.14	1.22	0.2	0.08	0.51	0.51	2.13	1.91	2.01	2.36	2.8	0.14	M12x1.5		1.97	1.97	1.77	1.77

s1	s3	s4	SW	approx. weight ¹⁾	
				RChg	RChgG
1	8	7	14	0.09	0.13
0.04	0.31	0.28	0.55	0.2	0.29

Blow-out Device

Blow-out plug no. 19



Ordering Information

Basic Model:		Bourdon Tube Pressure Gauge with Crimped-on Ring Case	RChg
Case filling:	without		without code letters
	glycerin		G
	fillable version		(G)
Nominal case size:	case Ø 50 mm (2")		50
Wetted material:	stainless steel		- 3
Case configuration:	case/connection	screwed	without code letters
	position of the connection	bottom connection	without code letters
		centre back connection	rm
mounting device	without		without code letters
	front flange for panel mounting		Fr
	u-clamp for panel mounting		BFr
Pressure ranges:	-1200 / 0 mbar	30" hg vac. - 0 psi	
	-1 / 0 bar		
	-1 / +0.6 bar	30" hg vac. - 15 psi	
	-1 / +1.5 bar	30" hg vac. - 30 psi	
	-1 / +3 bar	30" hg vac. - 60 psi	
	-1 / +5 bar	30" hg vac. - 100 psi	
	-1 / +9 bar	30" hg vac. - 160 psi	
	-1 / +15 bar	30" hg vac. - 200 psi	
		30" hg vac. - 300 psi	
	0 - 1 bar	0 - 15 psi	
	0 - 1.6 bar		
	0 - 2.5 bar	0 - 30 psi	
	0 - 4 bar	0 - 60 psi	
	0 - 6 bar	0 - 100 psi	e.g. 0 - 6 bar
	0 - 10 bar	0 - 160 psi	
	0 - 16 bar	0 - 200 psi	
		0 - 300 psi	
	0 - 25 bar	0 - 400 psi	
	0 - 40 bar	0 - 600 psi	
	0 - 60 bar	0 - 800 psi	
		0 - 1,000 psi	
	0 - 100 bar	0 - 1,500 psi	
	0 - 160 bar	0 - 2,000 psi	
	0 - 3,000 psi		
0 - 250 bar	0 - 4,000 psi		
	0 - 5,000 psi		
0 - 400 bar	0 - 6,000 psi		
0 - 600 bar	0 - 10,000 psi		
Process connection:	standard thread	G ¼B	G ¼B
	options	¼" NPT	¼" NPT
		M 12x1.5	M 12x1.5
		G ⅜B	G ⅜B
		⅜" NPT	⅜" NPT
Options:	see page 4		

Example:

RChg 50 - 3 rmFr, 0 - 6 bar, ¼" NPT

PVN ENGINEERING CO.,LTD. / www.pvn.co.th

