

- 3-digit 14 mm LED digital contact gauge
- 80 mm stainless steel case turnable 330°
- Min./max. memory
- Ranges from 25 mbar to 40 bar
- Dry ceramic sensor
- Analog output: 0(4)...20 mA, 0...10 V
- 2 DC PNP contact setpoints, max. 200 mA
- Available with all standard process connections



Digital contact gauge PM 82-3

Technical data:

Range:	0...25 mbar to 0...40 bar
Analog output:	0(4)...20 mA, 0...10 V
Contact output :	DC PNP, max. 200 mA
Accuracy:	$\leq \pm 0.5\%$ FS @ 25°C
Response time:	200 ms
Power supply:	10...30V DC, 20 mA output 16...30V DC, 10 V output
Ambient temperature:	-25...80 °C
Process temperature:	-25...100 °C
Temperature coefficient:	$\leq \pm 0.03\%$ FS/K (zero) $\leq \pm 0.02\%$ FS/K (span)
Long term stability:	$\leq \pm 0.5\%$ FS p. a.
Bayonet lock case:	1.4301 (304) IP 67
Process connection:	see table, 1.4404 (316L)
Sensor:	ceramic AL ₂ O ₃
Electrical connection:	M12x1 5-pin connector

Nöding

Meßtechnik

Ranges

range	gauge	overload (bar)
0...25 mbar	A7	- 0.3 / 4
0...40 mbar	A8	- 0.3 / 4
0...50 mbar	B0	- 0.3 / 4
0...60 mbar	A9	- 0.3 / 4
0...100 mbar	00	- 0.3 / 4
0...160 mbar	01	- 0.5 / 6
0...200 mbar	B1	- 0.5 / 6
0...250 mbar	02	- 0.5 / 6
0...400 mbar	03	- 1 / 6
0...500 mbar	B7	- 1 / 6
0...600 mbar	04	- 1 / 10
0...1 bar	05	- 1 / 10
0...1.6 bar	06	- 1 / 15
0...2 bar	B3	- 1 / 15
0...2.5 bar	07	- 1 / 15
0...4 bar	08	- 1 / 25
0...5 bar	F1	- 1 / 25
0...6 bar	09	- 1 / 40
0...10 bar	10	- 1 / 40
0...16 bar	11	- 1 / 40
0...20 bar	B5	- 1 / 40
0...25 bar	12	- 1 / 40
0...40 bar	13	- 1 / 60
0...50 bar	F3	- 1 / 100
0...60 bar	14	- 1 / 100
-20...20 mbar	C2	- 0.3 / 4
-100...100 mbar	C5	- 0.5 / 6
-200...200 mbar	D3	- 1 / 6
-1...1 bar	D6	- 1 / 15
-1...1.5 bar	D7	- 1 / 15
-1...3 bar	D8	- 1 / 25
-1...5 bar	D9	- 1 / 40
-1...9 bar	E1	- 1 / 40
-1...15 bar	E2	- 1 / 40
-1...19 bar	E3	- 1 / 40
-1...20 bar	E8	- 1 / 40

Ordering Code

Analog output Signal

- 1 0...10V 3-wire
- 2 0...20 mA 3-wire
- 3 4...20 mA 3-wire (signal range 3.8...20.5 mA)

Contact output

2 2 contacts

Ranges

See table
99 non standard range

Process connection and material

- F G 1" DIN 3852 1.4404
- Z G 1 1/4" DIN 3852 1.4404
- 5 G 1 1/2" DIN 3852 1.4404
- U Flange DN 25 / PN 10-40 1.4404
- A Flange DN 40 / PN 10-40 1.4404
- B Flange DN 50 / PN 10-40 1.4404
- 9 Sonderausführung

Sensor seal

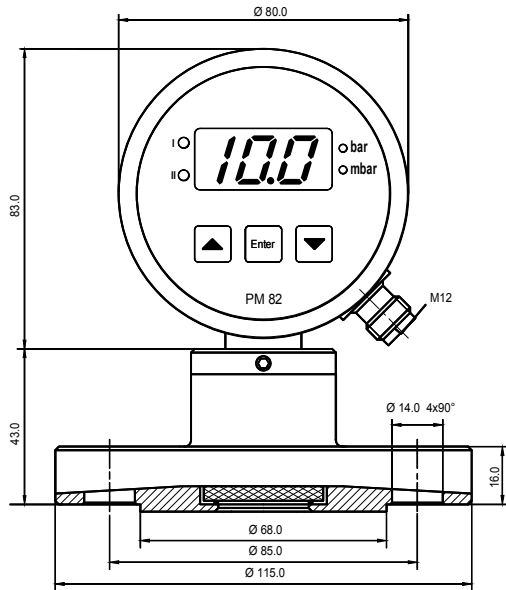
- 1 FPM (Viton) standard
- 2 NBR (Nitril)
- 3 EPDM
- 4 Fluor-Silicon
- 5 Chemraz 505
- 9 other on request

Options

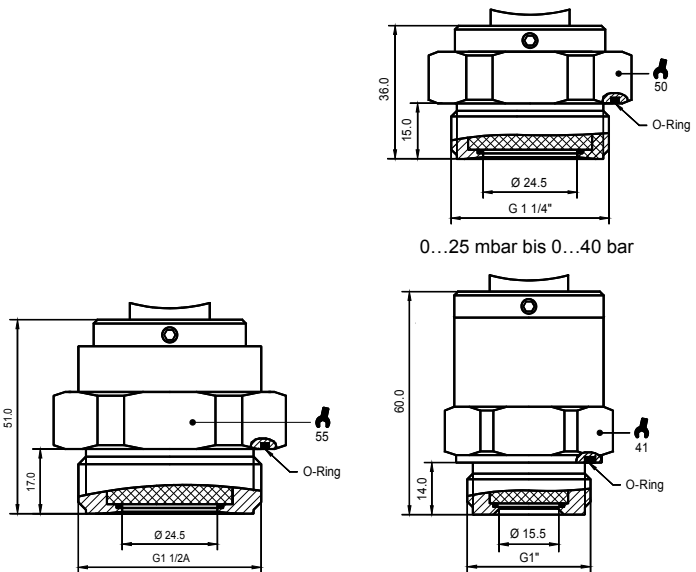
- 0 Display 3 digits
- 1 Display reduced to 2 digits

PM82-3-

Dimensions (mm)



0...25 mbar bis 0...40 bar



0...25 mbar bis 0...40 bar

0...100 mbar bis 0...40 bar

Electrical connections

Connector M12x1 5-pin

