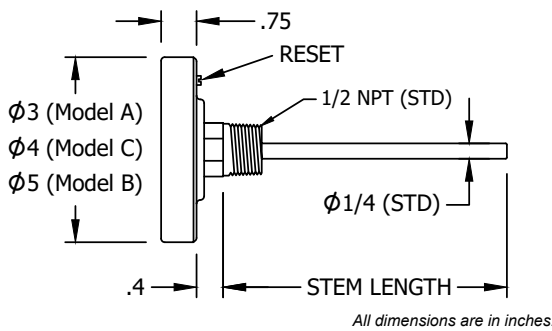
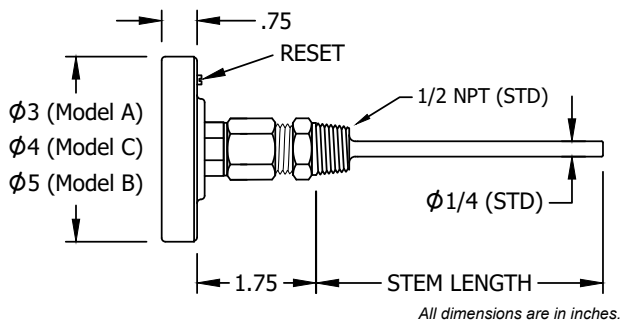


## BACK CONNECT BIMETAL THERMOMETER

REOTEMP's Bimetal Thermometers are reliable and accurate temperature sensors requiring no electricity or wiring. Back Connect Thermometers are ideal for local, eye-level temperature readings in most process applications. They can be recalibrated with a turn of the calibration screw on the back of the dial. A variety of options are available for your specific process needs.



**Standard Dimensions**



**Fixed Union**



### FEATURES / BENEFITS

- Heavy-Duty Process Grade Design
- Five Year Warranty
- Made in the USA
- Accuracy  $\pm 1\%$  Full Scale (ASME B40.3 Grade A)
- Hermetically Sealed (ASME B40.3)
- Standard External Reset for Calibration
- Silicone Fillable for Vibration

### SPECIFICATIONS

<b>Accuracy</b>	$\pm 1\%$ Full Scale (ASME B40.3)
<b>Dial Size</b>	3", 4" or 5"
<b>Dial Material</b>	Black marks on satin matte aluminum finish, Hi-Vis™, or white dial
<b>Stem Length</b>	2" to 80"
<b>Stem Diameter</b>	1/4" (Standard), 3/8" or 5/16"
<b>Head, Bezel, Mounting Bushing, Stems</b>	300 Series SS, 316SS (Optional)
<b>Operating Conditions</b>	Head temperature should not exceed 200°F (150°F if silicone filled). Stem should not be exposed to continuous temperatures exceeding 50% over-range or 800°F (550°F if silicone filled).
<b>Environmental Protection</b>	IP67, NEMA 6 Rated (Hermetically sealed per ASME B40.3)
<b>Lens</b>	Glass (Standard), Acrylic, Polycarbonate, Laminated Safety Glass or Tempered Glass
<b>Immersion</b>	Minimum 2" in liquid, and 4" in gas for most ranges. Certain ranges require up to 4" in liquids & 5" in gas.
<b>Mounting Connection</b>	1/2" NPT (Standard), 1/4" NPT, 3/4" NPT, Plain Hex Bushing, or 1/2" BSPT
<b>Temperature Sensing Area</b>	Last 2" to 4" of the stem

## BACK CONNECT BIMETAL THERMOMETER



Visit [reotemp.com](http://reotemp.com)

- ✓ Check Stock
- ✓ Get Price
- ✓ Configure Part #
- ✓ Generate a Custom Engineering Drawing

**HOW TO ORDER:** Choose options to build a part number. For example: AA0251F23-SF

AA	025	1	F23	-SF
DIAL SIZE	STEM LENGTH	CONNECTION	TEMPERATURE RANGE	OPTIONS
<p><i>Standard Model</i></p> <p>AA = 3" Dial w/ Reset                      CC = 4" Dial w/ Reset                      BB = 5" Dial w/ Reset</p> <p><i>Non-Reset Model</i></p> <p>RR = 3" Dial w/o Reset                      CN = 4" Dial w/o Reset                      SS = 5" Dial w/o Reset</p>	<p>025 = 2.5"                      040 = 4"                      060 = 6"                      090 = 9"                      120 = 12"                      150 = 15"                      180 = 18"                      240 = 24"                      300 = 30"                      360 = 36"</p> <p>Note: Intermediate stem lengths available up to 80".</p> <p><i>Millimeter Stem Lengths</i></p> <p>M???? = Use a code beginning in M to specify a mm stem length ex: 100mm = M0100</p>	<p>1 = 1/2" NPT                      4 = 1/4" NPT                      5 = 3/4" NPT Adapter                      X = Plain Unthreaded Hex Bushing                      B = 1/2" BSPT                      U = 1/2" NPT Union</p>	<p><i>Fahrenheit Ranges</i></p> <p>F23 = -40°F to 160°F                      *F55 = 25°F to 125°F                      F43 = 0°F to 200°F                      F47 = 0°F to 250°F                      F63 = 50°F to 300°F                      F67 = 50°F to 500°F                      F69 = 50°F to 550°F                      F81 = 150°F to 750°F                      F85 = 200°F to 1000°F</p> <p><i>Celsius Ranges</i></p> <p>C23 = -40°C to 70°C                      C55 = 0°C to 50°C*                      C43 = 0°C to 100°C                      C47 = -20°C to 120°C                      C59 = 0°C to 150°C                      C67 = 0°C to 250°C                      C69 = 0°C to 300°C                      C73 = 0°C to 400°C                      C85 = 100°C to 500°C</p> <p><i>Dual Scale Ranges</i></p> <p>D23 = -40°F to 160°F &amp; -40°C to 70°C                      *D55 = 25°F to 125°F &amp; -5°C to 50°C                      D43 = 0°F to 200°F &amp; -10°C to 90°C                      D47 = 0°F to 250°F &amp; -20°C to 120°C                      D63 = 50°F to 300°F &amp; 10°C to 150°C                      D67 = 50°F to 500°F &amp; 10°C to 260°C                      D69 = 50°F to 550°F &amp; 10°C to 290°C                      D81 = 150°F to 750°F &amp; 70°C to 400°C                      D85 = 200°F to 1000°F &amp; 100°C to 500°C</p> <p>*Not available in 2.5" stem.</p> <p>For Additional Ranges See Master Range Code Sheet on Page 141</p>	<p><i>General Options</i></p> <p>-3H = 316 SS Head and Bezel                      -PS = Pointed Stem                      -S3 = 3/8" diameter Stem                      -F5 = 5/16" diameter Stem (Not Available with 316SS Stem)                      -SF = Silicone Filled                      -SS = 316 Stainless Stem                      -WD = White Dial                      -HV = Hi-Vis™ Dial                      -NL = No Logo Dial                      -CB = Color Bands                      -PI = Color Pie                      -CL = Custom Logo Dial</p> <p><i>Window Options (Standard is Glass)</i></p> <p>-MM = Min-Max Pointer (Plastic Lens)                      -PC = Acrylic Window                      -PY = Polycarbonate Window                      -TG = Tempered Glass Window                      -SG = Laminated Safety Glass</p> <p><i>Calibration Cert. Options</i></p> <p>-R1 = One Point Calibration Cert (REOTEMP Chooses Points)                      -R3 = Three Point Calibration Cert (REOTEMP Chooses Points)                      -C1 = One Point Calibration Cert (Customer Chooses Points)                      -C3 = Three Point Calibration Cert (Customer Chooses Points)</p> <p><i>Tags and Accessories</i></p> <p>-TS = Tag, Stainless                      -TP = Tag, Paper                      -AS = Adapts Bimet to 1-1/4-18 industrial socket                      -HT = Heat Transfer Compound</p> <p>For Additional Options See Page 139</p> <p>For Thermowells See Pages 160-166</p>

**Note:** Thermowells should be used whenever the stem or bulb would be exposed to pressure, corrosion, velocity, abrasion or shear forces. Thermowells also make it possible to remove the thermometer without losing pressure or the contents of the process.

# BIMETAL TEMPERATURE RANGE CODE MASTER LIST

## FAHRENHEIT RANGES

Code	°F Range	Div.
F03	-100/100	2
F05	-100/200	2
F07	-80/120	2
F11	-70/150	2
F19	-50/300	5
F21 <sup>†</sup>	-40/120	2
F23	-40/160	2
F25	-40/180	2
F26	-40/200	2
F27 <sup>‡</sup>	-40/70	1
F31 <sup>†</sup>	-20/120	2
F33	-20/425	5
F35 <sup>‡</sup>	0/100	1
F37 <sup>†</sup>	0/140	2
F39 <sup>†</sup>	0/150	1
F43	0/200	2
F45	0/220	2
F47	0/250	2
F49	0/300	2
F50	0/500	5
F51	0/600	10
F53	20/240	2
F55 <sup>‡</sup>	25/125	1
F57 <sup>‡</sup>	30/130	1
F63	50/300	2
F65	50/400	5
F67	50/500	5
F69	50/550	5
F71	50/650	10
F73	50/750	10
F78	100/600	5
F79	100/800	10
F81	150/750	10
F82	200/700	20
F83	200/300	2
F84	100/900	5
F85	200/1000	10
F89	250/600	5
F91	300/400	2
F92	0/1200	2

## CELSIUS RANGES

Code	°C Range	Div.
C01	-80/220	2
C03	-70/70	2
C06	-70/30	1
C07	-50/50	1
C08	-60/120	2
C09 <sup>‡</sup>	-50/0	1
C15	-50/100	2
C17	-50/200	2
C19	-40/160	2
C20	-60/300	5
C23	-40/70	1
C24	-40/350	5
C27 <sup>‡</sup>	-30/30	1
C31 <sup>†</sup>	-20/40	1
C32	-20/60	
C33	-20/220	2
C34	-20/320	5
C35 <sup>‡</sup>	0/30	.5
C37 <sup>‡</sup>	0/60	1
C38 <sup>†</sup>	0/80	
C43	0/100	1
C47	-20/120	2
C53	-10/110	1
C55 <sup>‡</sup>	0/50	.5
C56	0/120	1
C59	0/150	1
C60	50/150	
C61	0/160	2
C63	10/150	2
C65	0/200	2
C67	0/250	2
C69	0/300	2
C71	0/300	5
C73	0/400	5
C74	0/450	5
C75	0/500	5
C79	50/450	5
C81	50/400	5
C85	100/500	5
C87	100/550	5

## DUAL RANGES

Code	°F & °C Range
D01	-150/400 & 100/200
D03	-100/100 & -70/40
D07	-80/120 & -60/50
D15	-50/210 & -50/100
D19	-50/300 & -40/160
D23	-40/160 & -40/70
D37 <sup>†</sup>	0/140 & -15/60
D39 <sup>†</sup>	0/150 & -20/65
D41 <sup>†</sup>	0/160 & -15/70
D43	0/200 & -10/90
D45	0/220 & -10/100
D47	0/250 & -20/120
D49	0/300 & -10/150
D53	20/240 & -10/115
D55 <sup>‡</sup>	25/125 & -5/50
D63	50/300 & 10/150
D65	50/400 & 10/200
D67	50/500 & 10/260
D69	50/550 & 10/290
D77	100/450 & 40/230
D79	100/800 & 40/400
D81	150/750 & 70/400
D85	200/1000 & 100/500
D87	200/1000 & 100/550

‡ Minimum stem length is 4".

† For 2.5" stem, all bottom connect and all-angle models require adapter P/N AD22S.