

# Bourdon Tube Pressure Gauges

Bayonet Ring Case Stainless Steel,  
DW-Line ( Double Weld )

**RCh 63-3vDW**  
**RChG 63-3vDW**

## Standard Versions

Information on general and metrological features (load limits / temperature limitations) and standard pressure ranges / scale divisions can be found in model overview 1000.

### Accuracy (EN 837-1)

Class 1.6

### Case

Bayonet ring, 1.4301 (304 stainless steel)

### Case Protection Type (EN 60 529 / IEC 529)

IP 54,

IP 65 for model RChG with closed blow-out plug

### Blow-out Device

Blow-out plug at the top of the case coverage

### Case Ventilation

By blow-out plug, ventilation required for internal pressure compensation for pressure ranges  $\leq 10$  bar and also recommended for other pressure ranges, as far as the operating conditions allow this.

### Case Filling

for model RChG: glycerine

### Nominal Case Size

63 (mm) ( 2½")

### Wetted Parts

Connection: 1.4571 (316 stainless steel)  
Bourdon Tube: 1.4571 (316 stainless steel),  
argon arc welding,  
 $\leq 100$  bar (1,500 psi) c-form,  
 $\geq 160$  bar (2,000 psi) helical

### Case Configuration

Connection: welded  
Position of the connection: bottom connection,  
optional centre back connection (rm)

### Pressure Ranges (EN 837-1)

0-1 bar (0-15 psi) to 0-600 bar (0-10,000 psi)

### Process Connection

Connection piece d8 x 5  
for welding at the chemical seal

### Window

Laminated safety glass

### Movement

Stainless steel

### Dial

Aluminum, black figures, white background

### Pointer

Aluminum, black

### Safety Category according to EN 837-1

S2 safety pressure gauge, proved



## NEW DW-Line (Double Weld)

Pressure gauges RCh/RChG 63-3vDW (case / connection piece welded) welded with chemical seal MDM 7...vd8

## Ordering Information, Standard Pressure Ranges, Options:

see pages 3 and 4

## Special Versions and further Options among others

- Other pressure ranges and / or special scales, e.g. double scale bar/psi, coloured fields or areas, dial inscriptions, negative scale etc.
- Min.- or max.-drag indicator upon request
- Case parts 1.4404 (316 L stainless steel) upon request
- Increased case protection type, e. g. IP 65 without case filling, upon request
- Other case fillings upon request
- Model RChG for ambient temperatures down to  $-40$  °C ( $-40$  °F) upon request
- Position of connection radial at 3 o'clock, 9 o'clock or 12 o'clock (others upon request) or other than vertical installation (90°):
  - for models without case filling and for filled models with pressure equalizing membrane;
  - for filled models without pressure equalizing membrane upon request
- GOST-version for Russia, Ukraine, Kazakhstan

## Accessory:

Chemical seals, sealings,  
process connection pieces: see catalogue-heading 7



PVN ENGINEERING CO.,LTD | Hotline : 095-365-8531 | Email : marketing@pvn.co.th



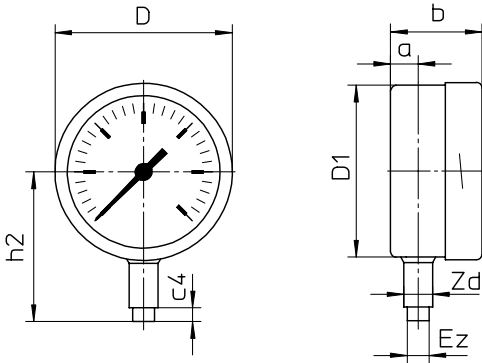
**1211.7**  
10/10

# Case Configuration, Code Letters, Dimensional Data and Weights, Blow-out Device

## Bottom connection

No mounting device

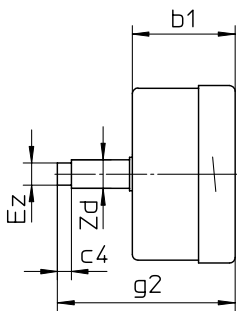
(no additional code letters)



## Centre back connection

No mounting device

code letters: **rm**

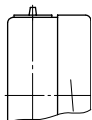


### Dimensional data (mm / inches) and weights (kg / lb)

NCS	a	b	b1	c4	D	D1	Ez	g2	h2 <sup>±1</sup>	Zd +0,5	approx. Weight	
											RCh	RChG
63	10	33	37	5	64	62	8	64	54	10	0.18	0.25
2½"	.39	1.3	1.46	.2	2.52	2.44	.31	2.52	2.13	.39	.4	.56

## Blow-out device

Blow-out plug 19



Blow-out plug 24

