



SERIES SG1 & SG3 | 1.5" INDUSTRIAL PRESSURE GAGES

FEATURES/BENEFITS

- Stainless steel housing to resist ambient corrosion for longer service life in harsh environments
- Good accuracy gage for value-sensitive applications requiring more precise measurement and where vibration is a concern
- Back or bottom mounting and compact size provides for mounting with dimensional limitations

APPLICATIONS

- Vacuum in pneumatic conveying lines
- Positive pressure in compressed air headers
- Corrosive ambient environments

DESCRIPTION

The **Series SG1 1.5" Industrial Pressure Gages** are perfect for applications where resistance to corrosion is necessary. The stainless steel case and ring offer excellent protection from harsh processes. The SG1 gages are an economical choice where ambient corrosion and vibration are a concern. Gages are suitable for all fluids that are compatible with brass and bronze, and are available with bottom or back connections.

The **Series SG3 1.5" Industrial Pressure Gages** have dual psi and bar (x100 kPa) scales with $\pm 2.5\%$ full-scale accuracy. The Series SG3 gages are designed with 304 SS housings and 316 SS wetted parts for excellent chemical compatibility. These gages cover a wide variety of ranges from full vacuum to 300 psi. Units can withstand ambient temperatures up to 140°F (60°C). Bottom or back 1/8" NPT connection options available.



SG1 Bottom



SG1 Back



SG3 Bottom

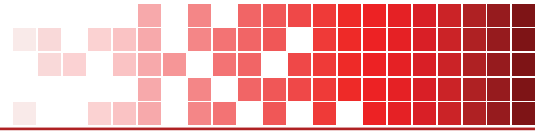


SG3 Back

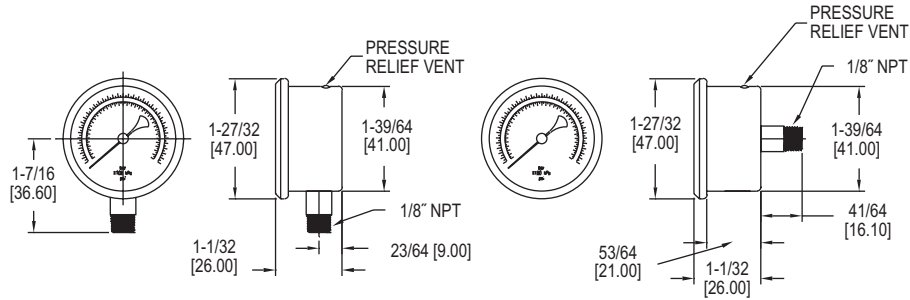
SPECIFICATIONS

Service	Compatible liquids and gases.
Wetted Materials	SG1: Brass connector, bronze tube; SG3: 316 L SS tube, 316 SS connector.
Housing	304 SS.
Lens	Polycarbonate.
Accuracy	$\pm 2.5\%$ FS.
Pressure Limit	FS range.
Temperature Limits	-4 to 140°F (-20 to 60°C).
Size	1.5" (40 mm).
Process Connections	1/8" male NPT.
Weight	SG1: 2.2 oz (63 g) bottom, 2.3 oz (65 g) back; SG3: 2.4 oz (70 g) bottom, 2.5 oz (72 g) back.



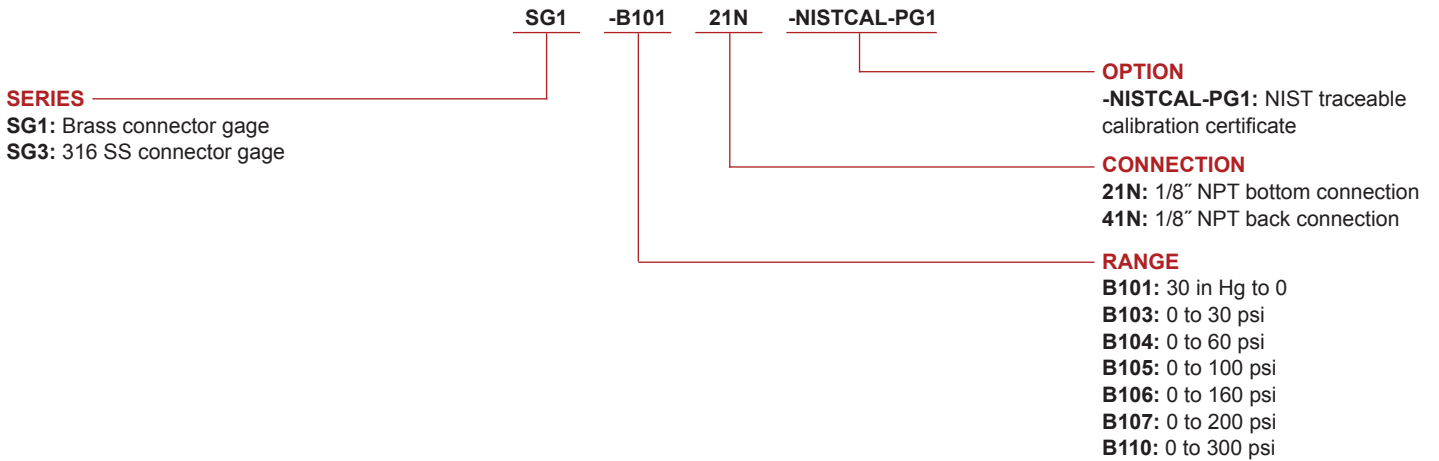


DIMENSIONS



HOW TO ORDER

Use the **bold** characters from the chart below to construct a product code.



ACCESSORIES

Model	Description
A-445B	U-bracket mounting kit for 1.5" and 2.5" gage
NISTCAL-PG1	NIST traceable pressure calibration certificate for pressure gages over 1% accuracy. NOTE: EQUAL CERTS WILL BE CHARGED PER UNITS PURCHASED

Important Notice: Dwyer Instruments, Inc. reserves the right to make changes to or discontinue any product or service identified in this publication without notice. Dwyer advises its customers to obtain the latest version of the relevant information to verify, before placing any orders, that the information being relied upon is current.

