

SERIES DPT | DIGITAL PRESSURE TRANSMITTER WITH SWITCHES

FEATURES/BENEFITS

- Compact size, lightweight, and high accuracy supports multiple installation methods to support application need and footprint
- Rotating display and electrical connection to maximize visibility while orienting the electrical connection in the best position for the cable connector

APPLICATIONS

- Calibration
- Hydraulics and pneumatics
- Machine tools
- Compressors and pumps
- Machine building

DESCRIPTION

The **SERIES DPT** Digital Pressure Transmitter with Switches combines a large, 14-segment LED display with two programmable solid state switches into one compact unit. A unique, 3-way rotating design allows the DPT to meet specific installation requirements without any retrofitting. The display and electrical connection can be rotated independently to maximize visibility while still orienting the electrical connection in the best position for the cable connector. Large, ergonomically designed push buttons allow for quick/easy programming and thin-film piezoresistive sensor technology guarantees long-term reliability and stability.



SPECIFICATIONS

Service	Compatible gases, liquids or vapors.
Wetted Materials	Pressure connection: 316 L SS; Pressure sensor: 316 L SS (13-8 PH for ranges above 150 psi).
Housing	316 L lower body, heat and chemical resistant fiberglass reinforced plastic (PBT) plastic head, TPE-E keyboard, PC display window.
Accuracy	1.0% F.S. (includes non-linearity, hysteresis, zero point).
Pressure Limits	32 to 176°F (0 to 80°C).
Process Connections	1/4" male NPT.
Display	Red LED 4-digit (0.35" H digits).
Weight	7 oz (0.2 kg).

SWITCH SPECIFICATIONS

Switch Type	PNP.
Electrical Rating	250 mA.
Electrical Connections	M 12x1, 5-pin.
Mounting Orientation	Mount in any position.

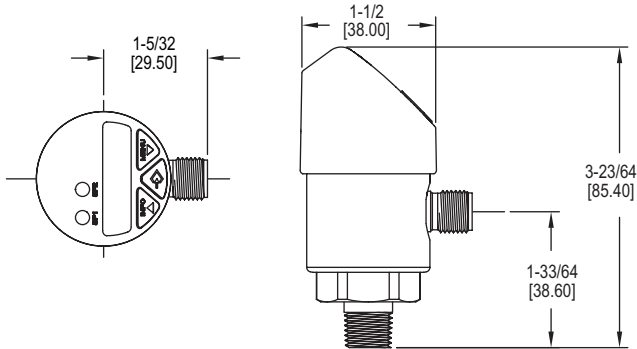
TRANSMITTER SPECIFICATIONS

Temperature Limits	32 to 176°F (0 to 80°C).
Thermal Effect	0.2% FS/ 10 k.
Power Requirements	15 to 35 VDC.
Output Signal	DPT-A: 4 to 20 mA; DPT-V: 0 to 10 VDC.
Loop Resistance	DPT-A: ≤0.5k; DPT-V: > 10k.
Power Consumption	≤ 100 mA.
Electrical Connections	M 12x1, 5-pin.
Enclosure Rating	IP67.
Agency Approvals	CE.

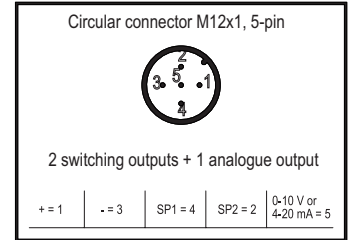
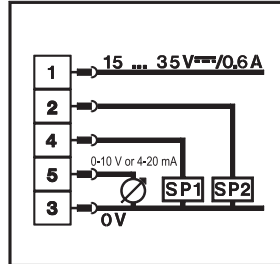




DIMENSIONS



WIRING DIAGRAM



HOW TO ORDER

Use the **bold** characters from the chart below to construct a product code.

	DPT	-V	00	-NISTCAL-PT1	
SERIES					OPTIONS
DPT: Digital pressure transmitter					-NISTCAL-PT1: NIST traceable calibration certificate
OUTPUT					RANGE
-A: 4 to 20 mA					00: -14.5 to 0 psig
-V: 0 to 10 VDC					01: 0 to 15 psig
					02: 0 to 25 psig
					03: 0 to 30 psig
					04: 0 to 50 psig
					05: 0 to 100 psig
					06: 0 to 160 psig
					07: 0 to 200 psig
					08: 0 to 300 psig
					09: 0 to 500 psig
					10: 0 to 1000 psig

ACCESSORIES

Model	Description
A-195	6' (2 m) shielded cable with 5 pin female M-12 connections
NISTCAL-PT1	NIST traceable calibration certificate for pressure transmitters. Note: Equal certs will be charged per units purchased

Important Notice: Dwyer Instruments, Inc. reserves the right to make changes to or discontinue any product or service identified in this publication without notice. Dwyer advises its customers to obtain the latest version of the relevant information to verify, before placing any orders, that the information being relied upon is current.

