

- Stainless steel housing 1.4404, IP 68
- Plastic housing PP or PVDF
- Ranges from 40 mbar to 60 bar
- Accuracy $\leq 0,2\%$
- Ex II 1G Ex ia IIC T4 Ga
- Cable according Bg VV-1.12.96-Specification
Optional integrated Pt 100 / Pt 1000
- Sensor for temperature measurement



Level Transmitter P 133

Technical data:

| | |
|------------------------|---|
| Ranges: | 0...40 mbar to 0...60 bar |
| Output signal: | 4...20 mA, 2-wire |
| Accuracy: | $\leq \pm 0,2\%$ FS @ 25°C |
| Response time: | 200 ms (other available on request) |
| Supply voltage: | 9...30V DC: 4...20 mA output (12...30V Ex-version) 15...30V DC: 0...10 V output |
| Ambient temperature: | -25...80 °C (-20...70 °C at Ex ia IIC T4 Ga) |
| Temperature coeff.: | $\leq \pm 0,02\%$ FS/K |
| Long term stability: | $\leq \pm 0,2\%$ FS p. a. |
| Housing: | stainless steel, 1.4404, IP 68 |
| Weight of sensor: | approx. 0,5 kg |
| Weight of cable: | 0,5 kg / 10m |
| Electrical connection: | PE cable with pressure compensation capillary and filter |

Nöding

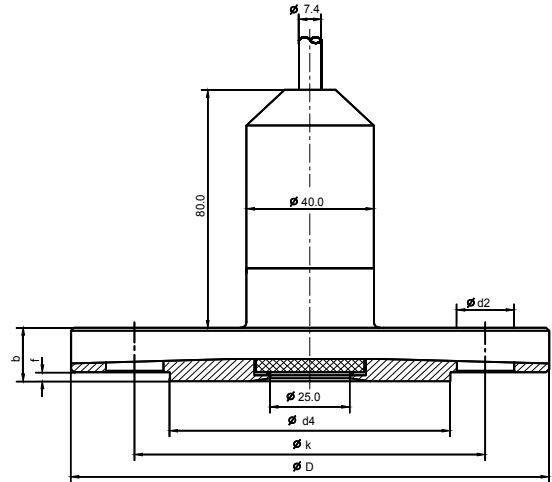
Meßtechnik

Ranges

Dimensions (mm)

| range in bar | | range in mH ₂ O | | overload (bar) |
|--------------|----|-----------------------------|----|----------------|
| 0...40 mbar* | A8 | 0...400 mmH ₂ O* | W8 | -0,3/4 |
| 0...50 mbar* | B0 | 0...500 mmH ₂ O* | W0 | -0,3/4 |
| 0...60 mbar* | A9 | 0...600 mmH ₂ O* | W9 | -0,3/4 |
| 0...100 mbar | 00 | 0...1 mH ₂ O | 50 | -0,3/4 |
| 0...160 mbar | 01 | 0...1,6 mH ₂ O | 51 | -0,5/6 |
| 0...200 mbar | B1 | 0...2 mH ₂ O | W1 | -0,5/6 |
| 0...250 mbar | 02 | 0...2,5 mH ₂ O | 52 | -0,5/6 |
| 0...300 mbar | X5 | 0...3 mH ₂ O | 66 | -1/6 |
| 0...400 mbar | 03 | 0...4 mH ₂ O | 53 | -1/6 |
| 0...500 mbar | B7 | 0...5 mH ₂ O | W2 | -1/6 |
| 0...600 mbar | 04 | 0...6 mH ₂ O | 54 | -1/10 |
| 0...1,0 bar | 05 | 0...10 mH ₂ O | 55 | -1/10 |
| 0...1,6 bar | 06 | 0...16 mH ₂ O | 56 | -1/18 |
| 0...2,0 bar | B3 | 0...20 mH ₂ O | W3 | -1/18 |
| 0...2,5 bar | 07 | 0...25 mH ₂ O | 57 | -1/18 |
| 0...4,0 bar | 08 | 0...40 mH ₂ O | 58 | -1/25 |
| 0...6,0 bar | 09 | 0...60 mH ₂ O | 59 | -1/40 |
| 0...10 bar | 10 | 0...100 mH ₂ O | 60 | -1/40 |
| 0...16 bar | 11 | 0...160 mH ₂ O | 61 | -1/40 |
| 0...20 bar | B5 | 0...200 mH ₂ O | W5 | -1/40 |
| 0...25 bar | 12 | 0...250 mH ₂ O | 62 | -1/40 |
| 0...40 bar | 13 | 0...400 mH ₂ O | 63 | -1/60 |
| 0...60 bar | 14 | 0...600 mH ₂ O | 64 | -1/100 |

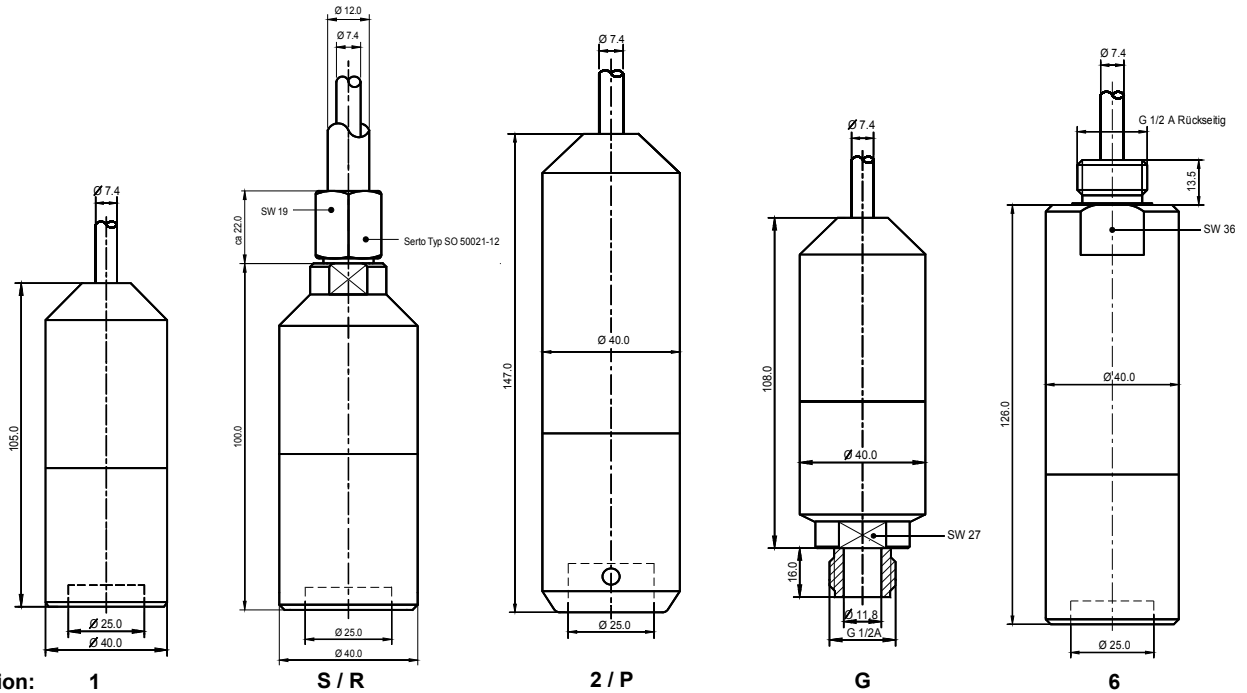
* accuracy 0,5%



| DN | PN | D | b | d2 | k | f | d4 | Bohrungen/Hole |
|----|---------|-----|----|----|-----|---|-----|----------------|
| 25 | 10 - 40 | 115 | 18 | 14 | 85 | 2 | 68 | 4 |
| 40 | 10 - 40 | 150 | 18 | 18 | 110 | 3 | 88 | 4 |
| 50 | 10 - 40 | 165 | 20 | 18 | 125 | 3 | 102 | 4 |
| 80 | 10 - 40 | 200 | 24 | 18 | 160 | 3 | 138 | 8 |

Anschluß / Connection DIN 2527 (mm)

Dimensions (mm)



Version: 1

S / R

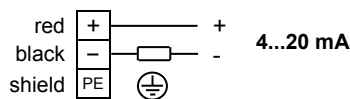
2 / P

G

6

Electrical connections

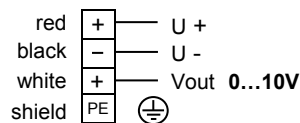
4...20 mA, 2-wire



U = 9...30V DC

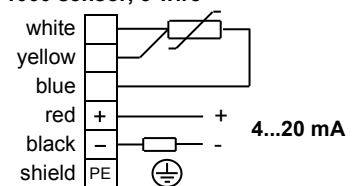
Ex-Version: 12...30V DC

0...10V, 3-wire



U = 15...30V DC

4...20 mA, 2-wire and Pt 100 - Pt 1000 sensor, 3-wire



U = 9...30V DC

Modifications reserved without notice, 12.14

Output signal

- 1 0...10 V 3-wire, (HDPE cable only)
- 4 4...20 mA 2-Leiter
- EX 4...20 mA 2-wire, Ⓢ II 1G Ex ia IIC T4 Ga
- TX 4...20 mA 2-wire, Ⓢ II 1G Ex ia IIC T4 Ga and PT100 3-wire
- FX 4...20 mA 2-wire, Ⓢ II 1G Ex ia IIC T4 Ga and PT1000 3-wire
- T 4...20 mA 2-wire and Pt 100 3-wire
- F 4...20 mA 2-wire and Pt 1000 3-wire

Range

See table at page 2

99 Special range

Version / material sensor housing

- 1 1.4404 40 mm Ø
- 2 Synthetics polypropylene
- 4 1.4404 G ½ A u. G ¼ female
- 6 1.4404 G ½ A at the cable lead in
- G 1.4404 G ½ A and 11,8mm pressure port
- P Synthetics PVDF
- 7 1.4404 G ½ A, housing welded, Ermeto-fitting at the top
- 8 1.4404 G ½ A u. G ¼ female, housing welded, Ermeto-fitting at the top
- S 1.4404 40 mm Ø, housing welded, 12 mm Serto-fitting at the top
- R 1.4404 40 mm Ø 12 mm Serto-fitting at the top
- U Flange DN25 / PN40 DIN 2501 1.4404
- A Flange DN40 / PN40 DIN 2501 1.4404
- B Flange DN50 / PN40 DIN 2501 1.4404
- C Flange DN80 / PN40 DIN 2501 1.4404
- 1L 40 mm Ø 1.4539 (904L)
- GL G ½ A and 11,8 mm pressure port 1.4539 (904L)
- 1B 40 mm Ø GC-CuSn12 (Bronze)
- GB G ½ A and 11,8 mm pressure port GC-CuSn12 (Bronze)
- UB Flange DN25 / PN 40 DIN 2501 GC-CuSn12 (Bronze)
- AB Flange DN40 / PN 40 DIN 2501 GC-CuSn12 (Bronze)
- 9 Special accomplishment

Std. cable length

- 002 2m cable Length from 5m to 50m only in 5m intervals
 - 005 5m cable
 - 010 10m cable Length from 50m only in 10m intervals
 - 050 50m cable
- Special lengths quote in meters

Material cable

- 0 PE cable
- 1 FDR 25 cable (Diesel oil resistant)
- 2 PUR cable
- 3 PTFE (on request)
- 4 HDPE

Sensor seal

- 1 FPM (Viton) Standard
- 2 NBR (Nitril)
- 3 EPDM-Kautschuk
- 5 Chemraz 505

Options

- R Ceramic sensor 99,9% Al₂O₃

